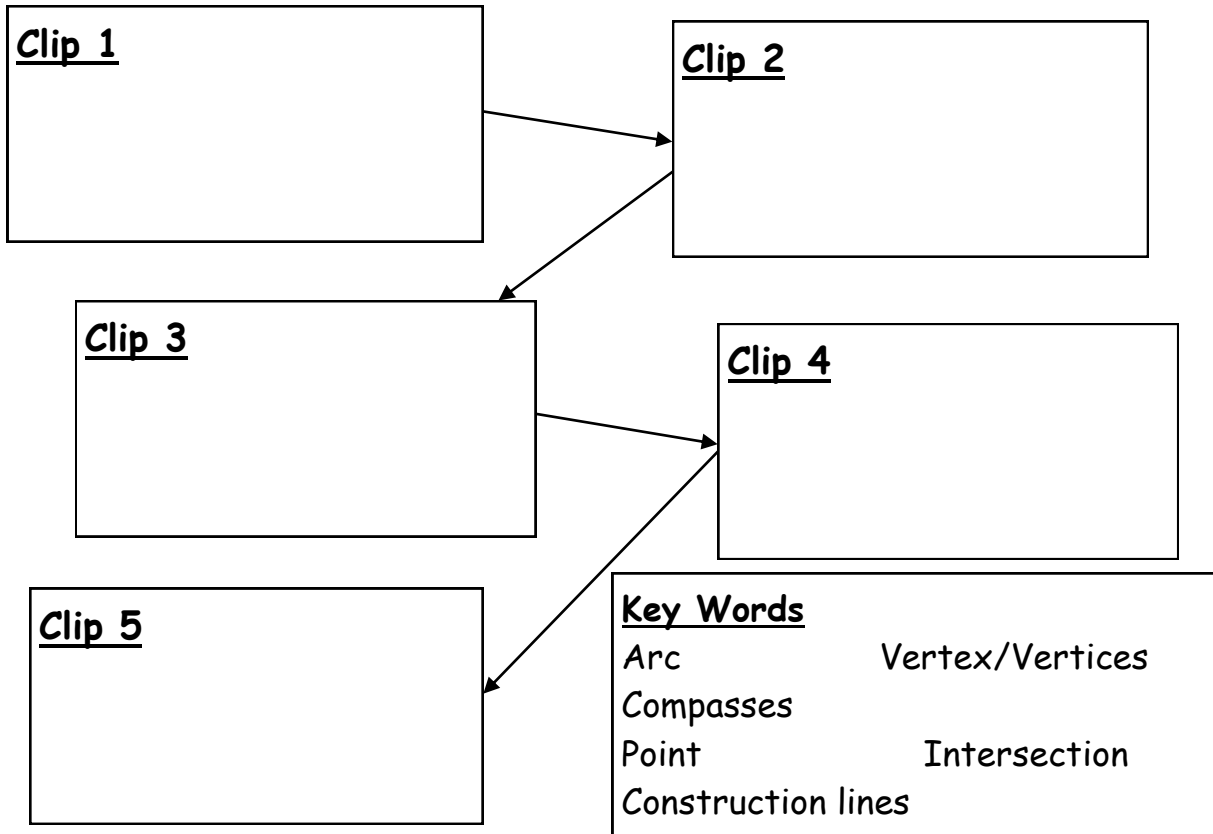


## Constructing a triangle when three sides are given



Write a clear set of instructions for constructing a triangle when 3 sides are given. (You may not need to use all of the bullet points).

- 
- 
- 
- 
- 
- 
- 
- 
- 
- 

Use your instructions to construct the following triangles:

1. 6cm, 12cm, 11cm
2. 9cm, 13cm, 10.5cm
3. 57mm, 68mm, 91mm