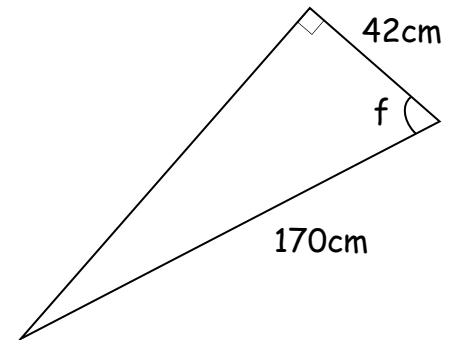
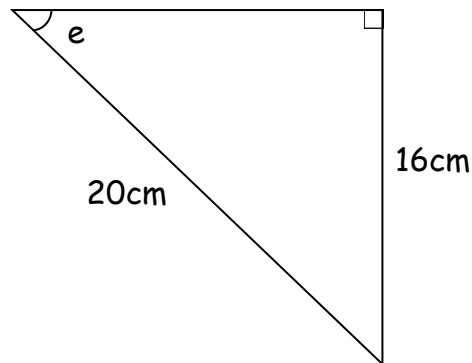
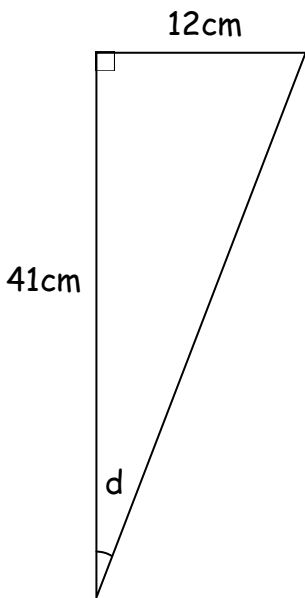
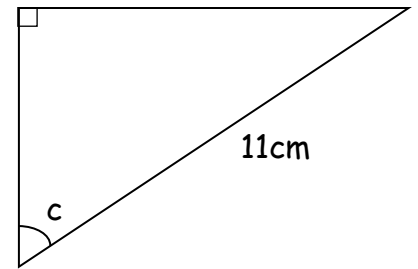
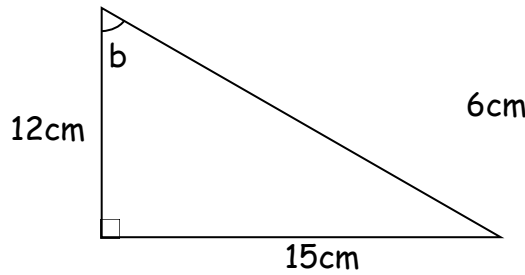
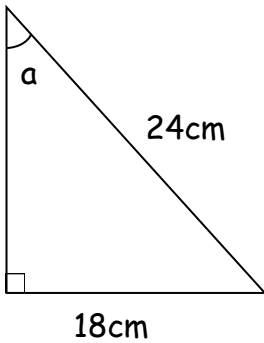


Trigonometry - Missing angles

1. Find the sizes of the missing angles, giving your answers to 1 decimal place. (Diagrams are not drawn to scale).



2. Find the missing angles, giving your answers to 1 decimal place.

(Diagrams are not drawn to scale).

