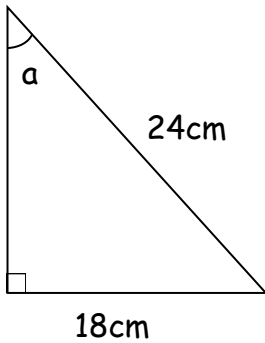
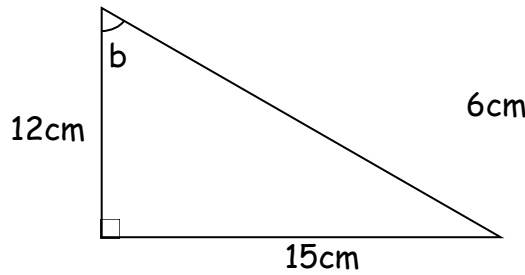


Trigonometry - Missing angles

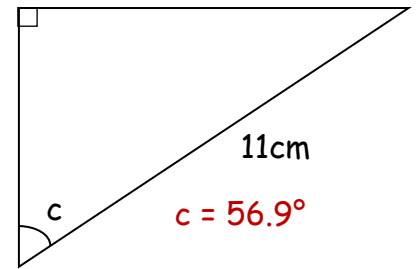
1. Find the sizes of the missing angles, giving your answers to 1 decimal place. (Diagrams are not drawn to scale).



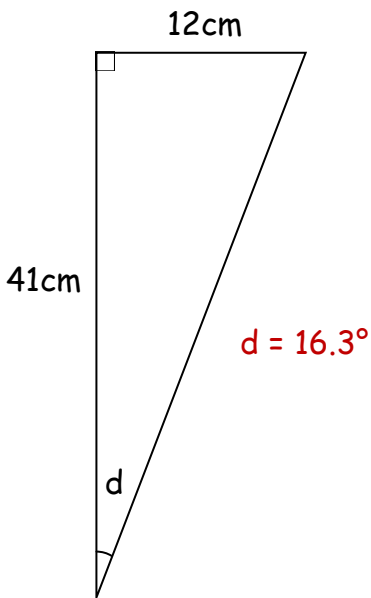
$$a = 48.6^\circ$$



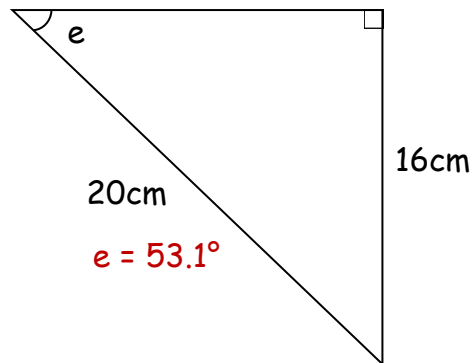
$$b = 51.3^\circ$$



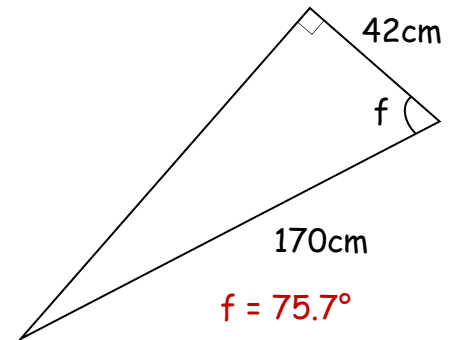
$$c = 56.9^\circ$$



$$d = 16.3^\circ$$



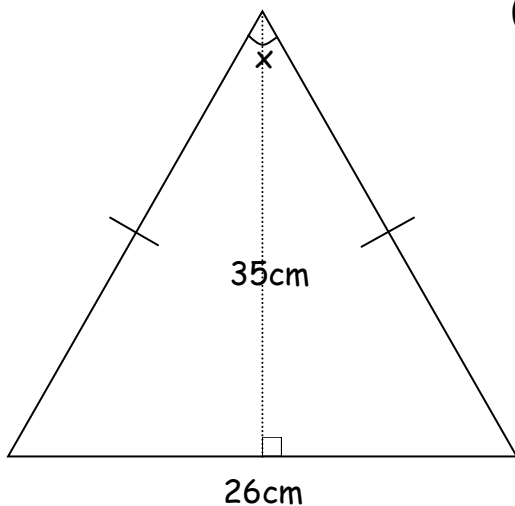
$$e = 53.1^\circ$$



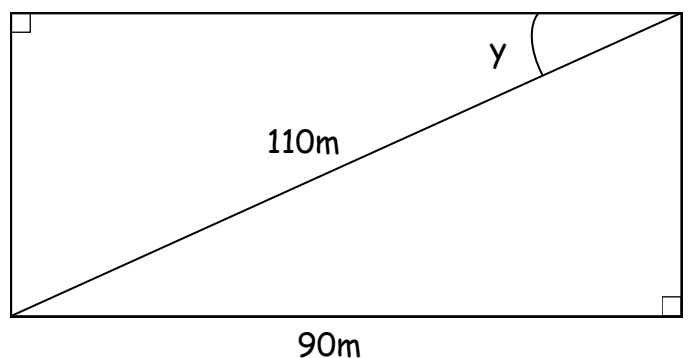
$$f = 75.7^\circ$$

2. Find the missing angles, giving your answers to 1 decimal place.

(Diagrams are not drawn to scale).



$$x = 40.8^\circ$$



$$y = 35.1^\circ$$