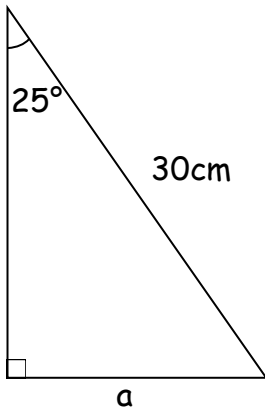
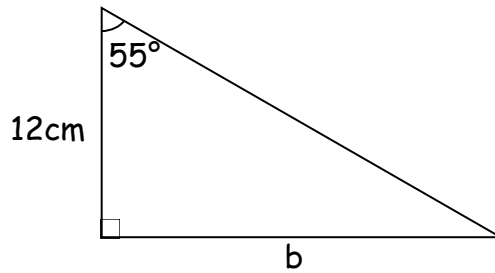


## Trigonometry - Missing sides

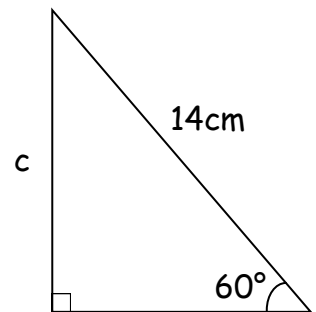
1. Find the lengths of the missing sides, giving your answers to 3 significant figures.



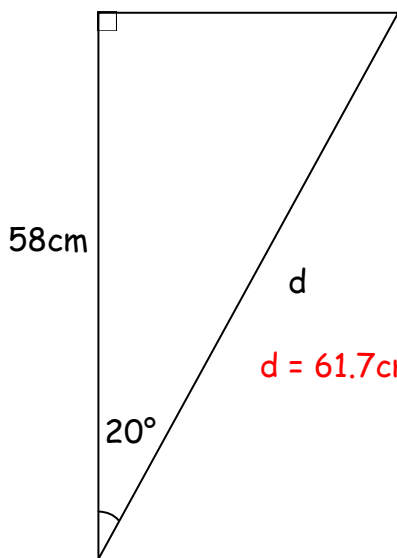
$$a = 12.7\text{cm}$$



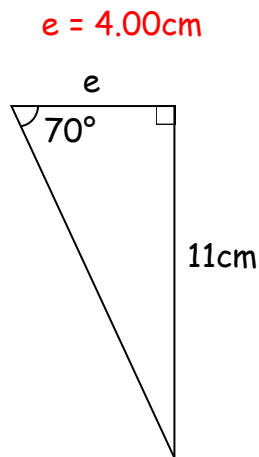
$$b = 17.1\text{cm}$$



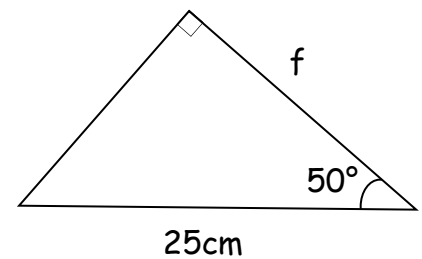
$$c = 12.1\text{cm}$$



$$d = 61.7\text{cm}$$

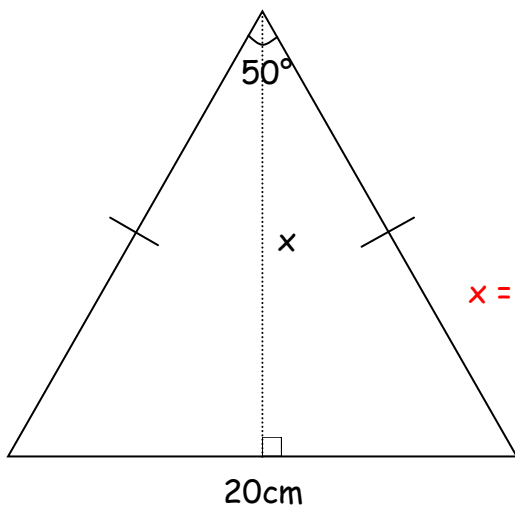


$$e = 4.00\text{cm}$$

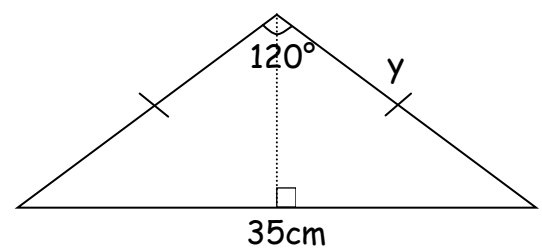


$$f = 16.1\text{cm}$$

2. Find the missing lengths, giving your answers to 3 significant figures.



$$x = 21.4\text{cm}$$



$$y = 20.2\text{cm}$$